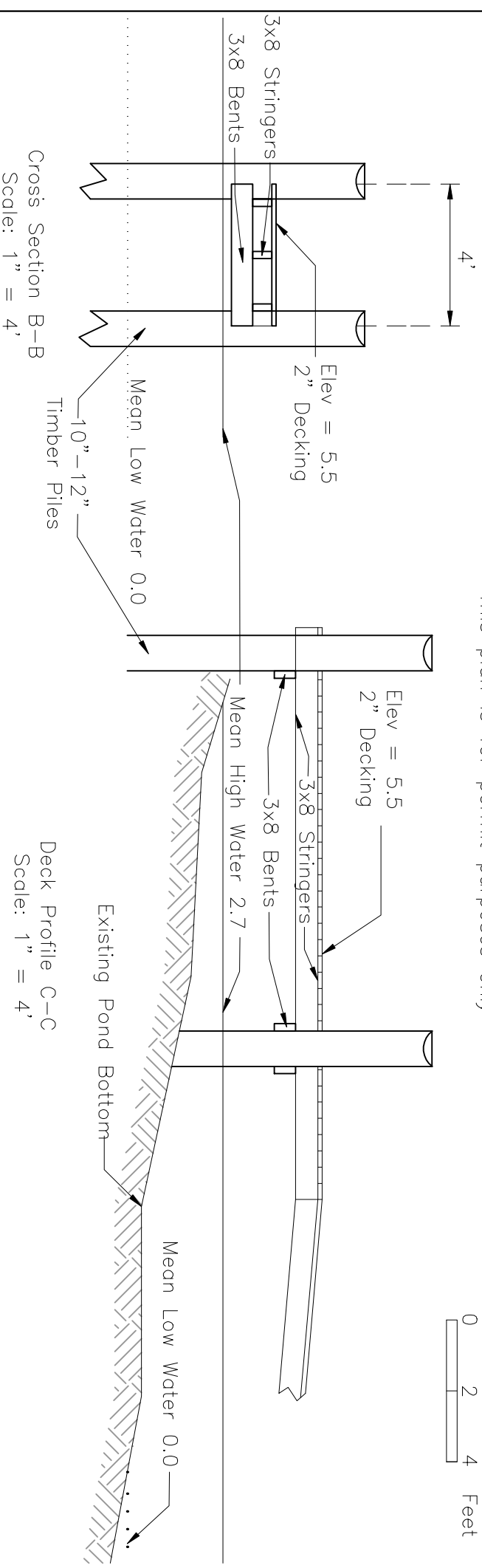


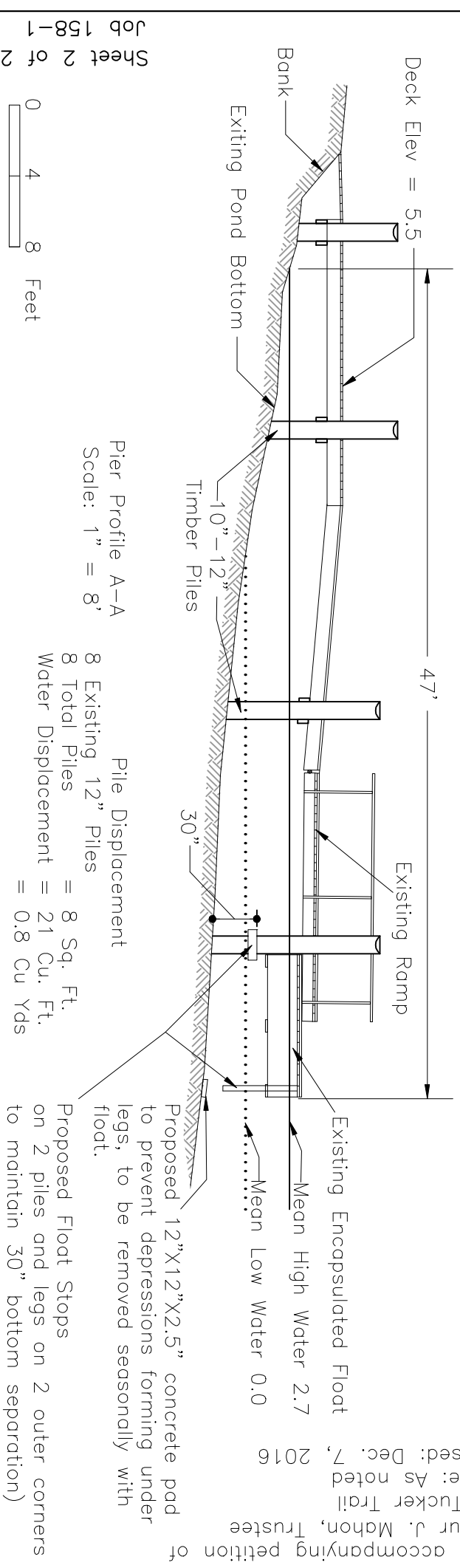
This plan is for permit purposes only



Cross Section B-B
Scale: 1" = 4'

Deck Profile C-C
Scale: 1" = 4'

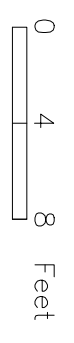
Datum = NAVD88



Pier Profile A-A
Scale: 1" = 8'

Pile Displacement
8 Existing 12" Piles = 8 Sq. Ft.
8 Total Piles = 21 Cu. Ft.
Water Displacement = 0.8 Cu Yds

Proposed 12"x12"x2.5" concrete pad to prevent depressions forming under legs, to be removed seasonally with float.
Proposed Float Stops on 2 piles and legs on 2 outer corners to maintain 30" bottom separation)



Plan accompanying petition of Arthur J. Mahon, Trustee
#6 Tucker Trail
Scale: As noted
Revised: Dec. 7, 2016